

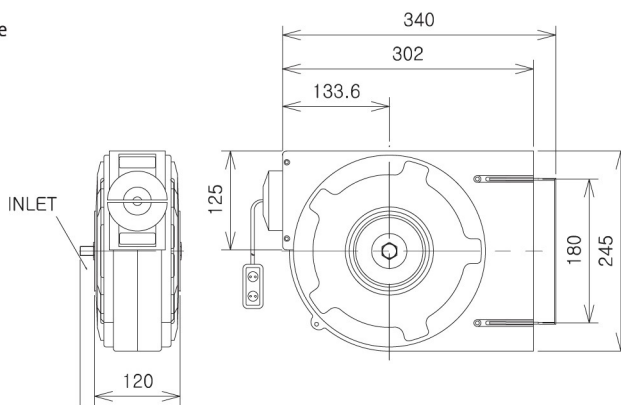
Cord Reel



Cord Reel increases greatly work efficiency and safety when dealing with electrical equipments. After work, it is easy to rewind the cable with a handle and make a use of it instantly to the following work. Additionally, the cord is considerably durable. There are various types based on the cable length.

CF Type

- Use : Car service center, Industrial site, Laboratory
- Features : Light weight frame, Flexible synthetic rubber hose
- Installation : Wall, Ceiling, TS-floor type

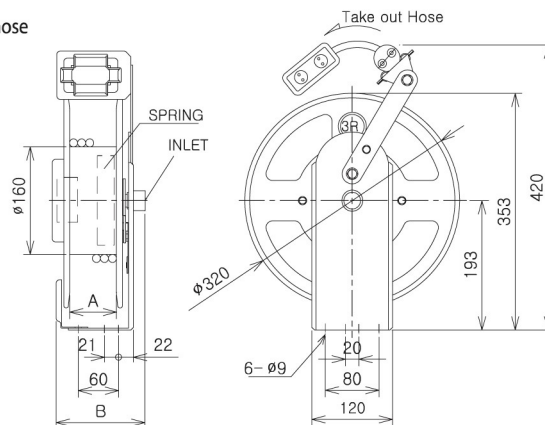
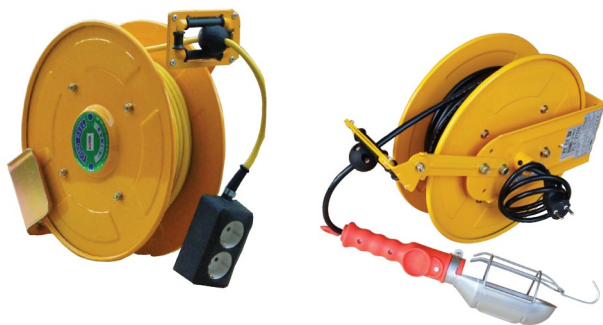


Model	Cable		Maximum Capacity Max (V×A)	Weight (kg)	Remark
	Cable Specifications	L (M)			
CF-208	VCTF-1.5 SQ×3C, Outlet	10	220V×10A	5.6	For Indoor
CFL-208	VCTF-1.5 SQ×3C, Halogen Light	10	220V×10A	5.7	For Indoor

※Halogen light is optional extra.

ALE-N Type

- Use : Car service center, Industrial site, Laboratory
- Features : Light weight frame, Flexible synthetic rubber hose
- Installation : Wall, Ceiling, TS-floor type



Model	Cable		Maximum Capacity Max (V×A)	Weight (kg)	Remark
	Cable Specifications	L (M)			
ALE-210N	VCTF-1.5 SQ×3C, Outlet	10	220V×10A	7.8	For Indoor
ALE-215N	VCTF-1.5 SQ×3C, Outlet	15	220V×10A	8.5	For Indoor
ALE-220N	VCTF-1.5 SQ×3C, Outlet	20	220V×10A	9.3	For Indoor
ALE-230N	VCTF-1.5 SQ×3C, Outlet	30	220V×15A	10	For Indoor
ALE-310N	VCTF-2.5 SQ×3C, Outlet	10	220V×10A	9	For Indoor
ALE-210NL	VCTF-1.5 SQ×3C, Halogen Light	10	220V×10A	7.9	For Indoor
ALE-215NL	VCTF-1.5 SQ×3C, Halogen Light	15	220V×10A	8.7	For Indoor
ALE-220NL	VCTF-1.5 SQ×3C, Halogen Light	20	220V×10A	9.7	For Indoor

※Halogen light is optional extra.